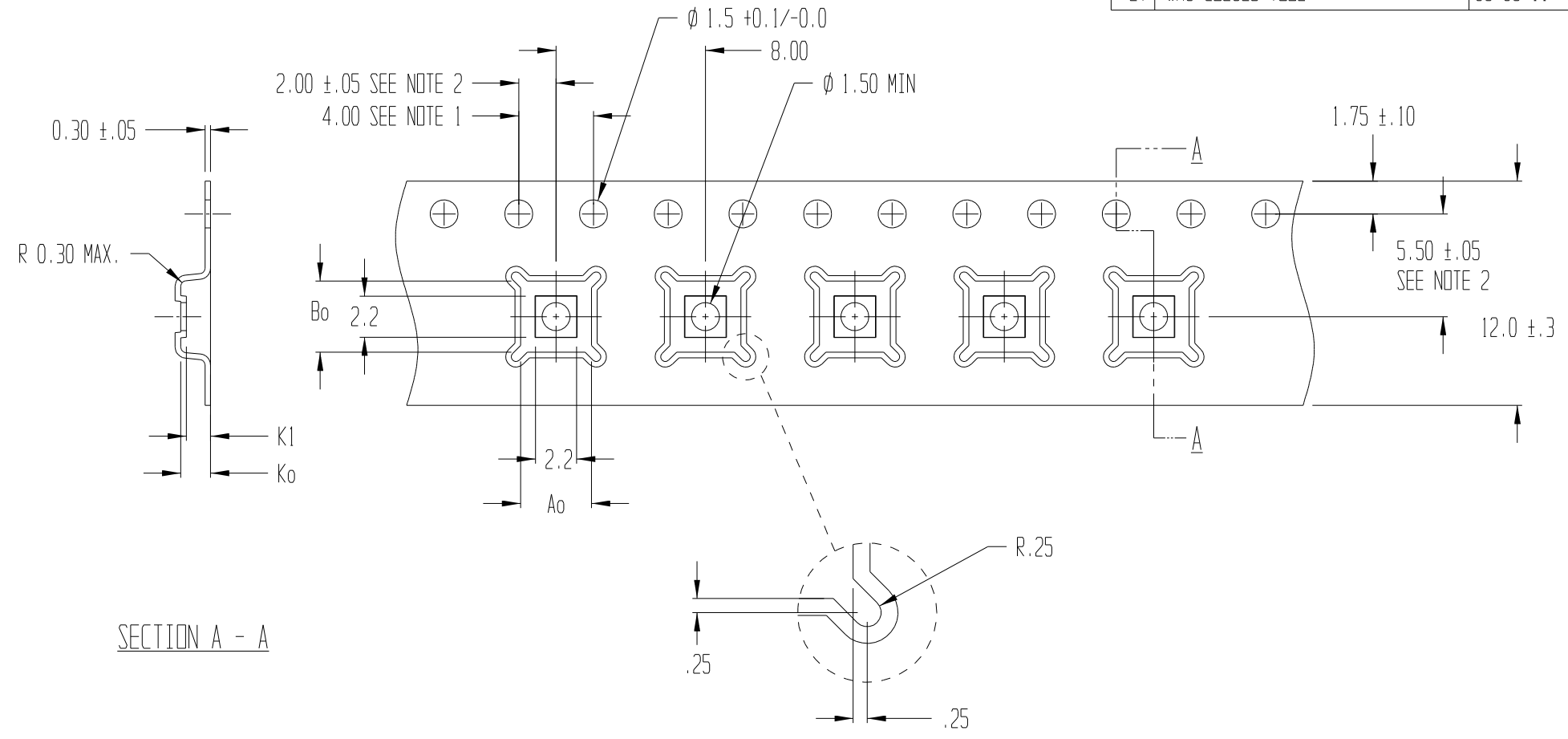


REVISIONS			
REV	DESCRIPTION	DATE	APPROVED
2.	WAS COLSED TOOL	05/05/11	JH



SECTION A - A

$Ao = 3.80$
 $Bo = 3.80$
 $Ko = 1.60$
 $K1 = 1.30$

- NOTES:
1. 10 SPROCKET HOLE PITCH CUMULATIVE TOLERANCE ± 0.2
 2. POCKET POSITION RELATIVE TO SPROCKET HOLE MEASURED AS TRUE POSITION OF POCKET, NOT POCKET HOLE
 3. Ao AND Bo ARE CALCULATED ON A PLANE AT A DISTANCE "R" ABOVE THE BOTTOM OF THE POCKET.



ADVANTEK [®] engineered confidence™			
TITLE ADVANTEK PART DRAWING NUMBER CSP-16-A CARRIER TAPE			
TOLERANCES - UNLESS NOTED 1PL ± 0.2 2PL ± 0.10		MATERIAL PS+C	DWG SIZE B
DRAWN BY RJB		DATE 06/03/1998	SCALE 4:1
CK'D BY	PROJECT NO. T-7621-A / 7666.00	DWG NO. T-7621-A	SHEET 1 OF 1 REV 2