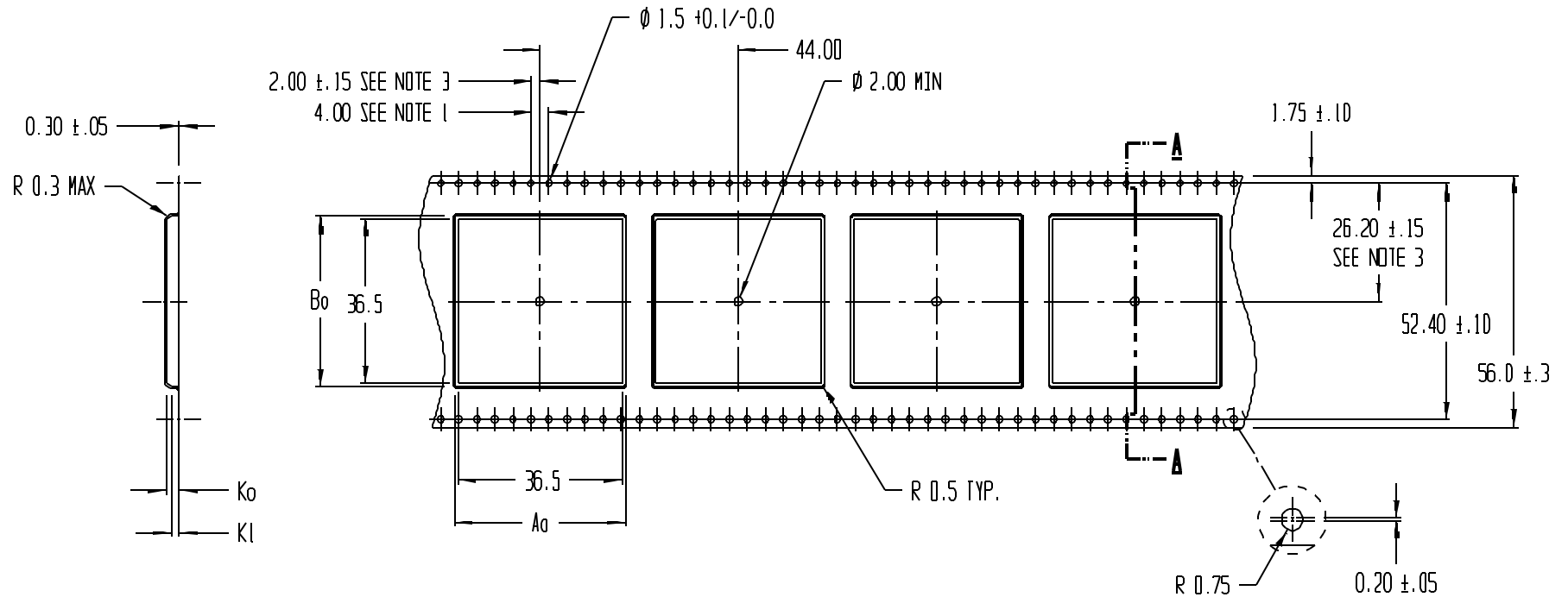


REVISIONS			
REV	DESCRIPTION	DATE	APPROVED
1	Drawing format change	11/26/02	BVB



SECTION A - A

$A_0 = 37.9$
 $B_0 = 37.9$
 $K_0 = 3.0$
 $K_1 = 1.8$

NOTES:

1. 10 SPROCKET HOLE PITCH CUMULATIVE TOLERANCE ± 0.2
2. CAMBER IN COMPLIANCE WITH EIA 481
3. POCKET POSITION RELATIVE TO SPROCKET HOLE MEASURED AS TRUE POSITION OF POCKET, NOT POCKET HOLE



ADVANTEK			
TITLE ADVANTEK PART DRAWING NUMBER BG3737-A CARRIER TAPE			
TOLERANCES - UNLESS NOTED 1PL ± 0.2 2PL ± 0.10		MATERIAL PS+C	
		ALL DIMENSIONS IN MILLIMETERS	DWG SIZE B
DRAWN BY BTH/BVB	DATE 10/29/97	SCALE 1:1	SHEET 1 OF 1
REFERENCE NO. T-709B		DWG NO. T100968AT	REV 1