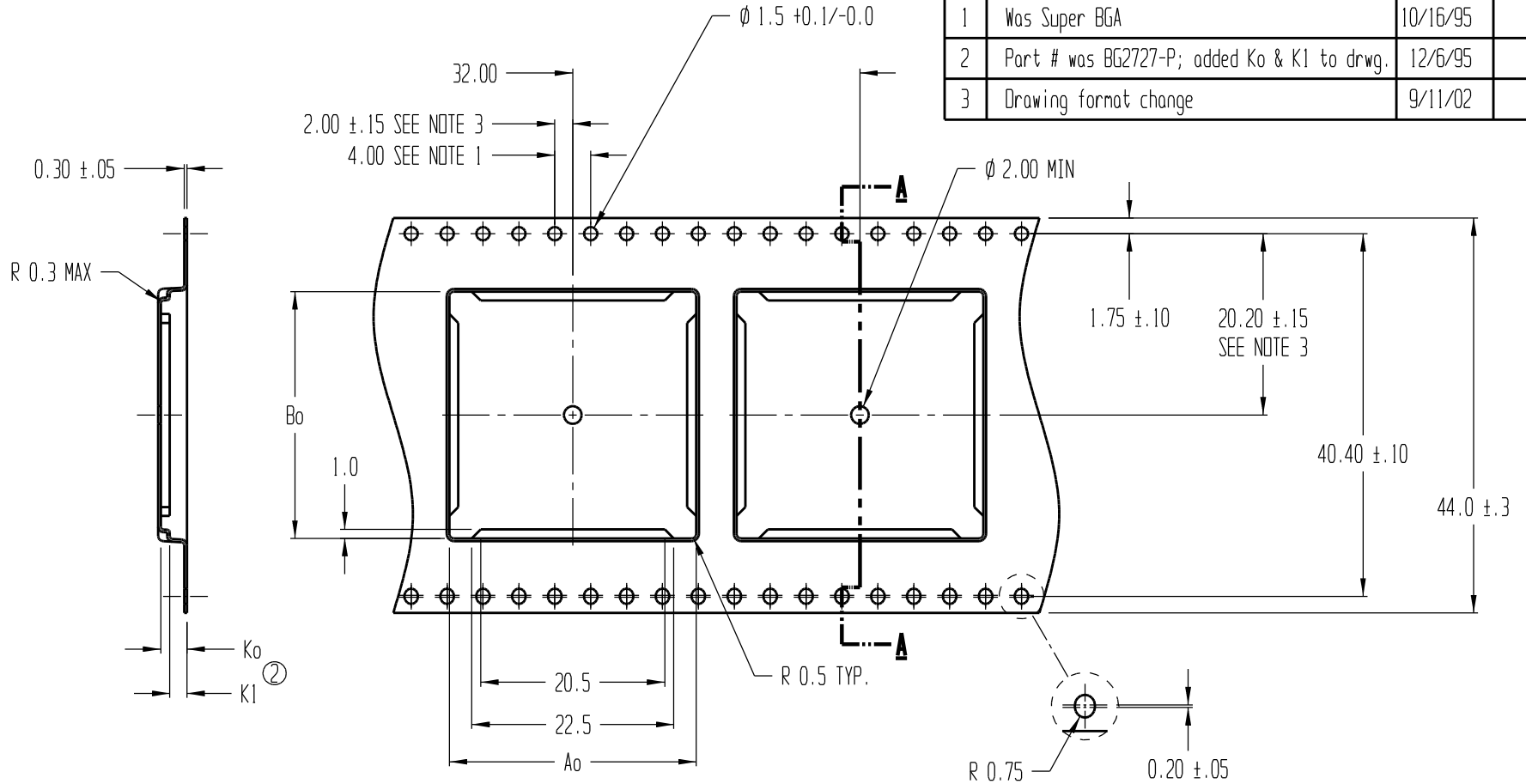


REVISIONS			
REV	DESCRIPTION	DATE	APPROVED
1	Was Super BGA	10/16/95	SDC
2	Part # was BG2727-P; added Ko & K1 to drwg.	12/6/95	SDC
3	Drawing format change	9/11/02	BTH



**SECTION A - A**

$A_o = 27.50$   
 $B_o = 27.50$   
 $K_o = 2.90$   
 $K_1 = 1.90$

**NOTES:**

1. 10 SPROCKET HOLE PITCH CUMULATIVE TOLERANCE  $\pm 0.2$
2. CAMBER IN COMPLIANCE WITH EIA 481
3. POCKET POSITION RELATIVE TO SPROCKET HOLE MEASURED AS TRUE POSITION OF POCKET, NOT POCKET HOLE



<b>TITLE</b> ADVANTEK PART DRAWING NUMBER BG2727-A ② ① PBGA 27x27 CARRIER TAPE			
<b>TOLERANCES - UNLESS NOTED</b> 1PL $\pm 0.2$ 2PL $\pm 0.10$		<b>MATERIAL</b> PS+C <b>ALL DIMENSIONS IN MILLIMETERS</b> <b>DWG SIZE B</b>	
<b>DRAWN BY</b> SDC/BTH	<b>DATE</b> 7/28/95	<b>SCALE</b> 2:1	<b>SHEET</b> 1 OF 1
<b>REFERENCE NO.</b> T-4788-2		<b>DWG NO.</b> A1003-95-4	<b>REV</b> 3