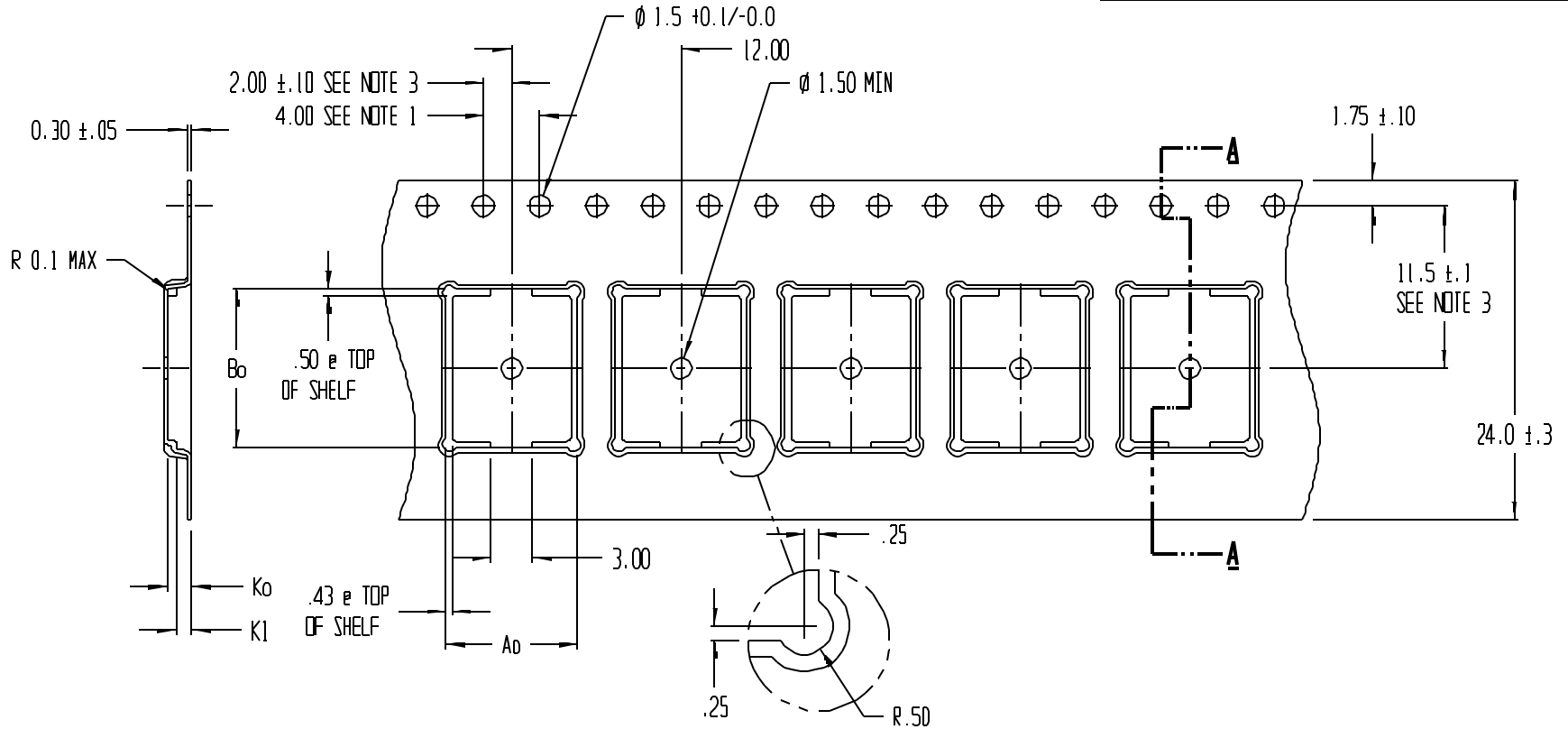


REVISIONS			
REV	DESCRIPTION	DATE	APPROVED



SECTION A - A

$A_o = 9.30$
 $B_o = 11.30$
 $K_o = 1.70$
 $K_1 = 1.10$

NOTES:

1. 10 SPROCKET HOLE PITCH CUMULATIVE TOLERANCE ± 0.2
2. CAMBER IN COMPLIANCE WITH EIA 481
3. POCKET POSITION RELATIVE TO SPROCKET HOLE MEASURED AS TRUE POSITION OF POCKET, NOT POCKET HOLE



TITLE ADVANTEK PART DRAWING NUMBER BG0911-B CARRIER TAPE			
TOLERANCES - UNLESS NOTED 1PL ± 0.2 2PL ± 0.10	MATERIAL PS+C	ALL DIMENSIONS IN MILLIMETERS DWG SIZE B	
DRAWN BY BTH	DATE 04/04/2003	SCALE 3:1	SHEET 1 OF 1
REFERENCE NO. T-12239-A	DWG NO. T104101BT	REV	