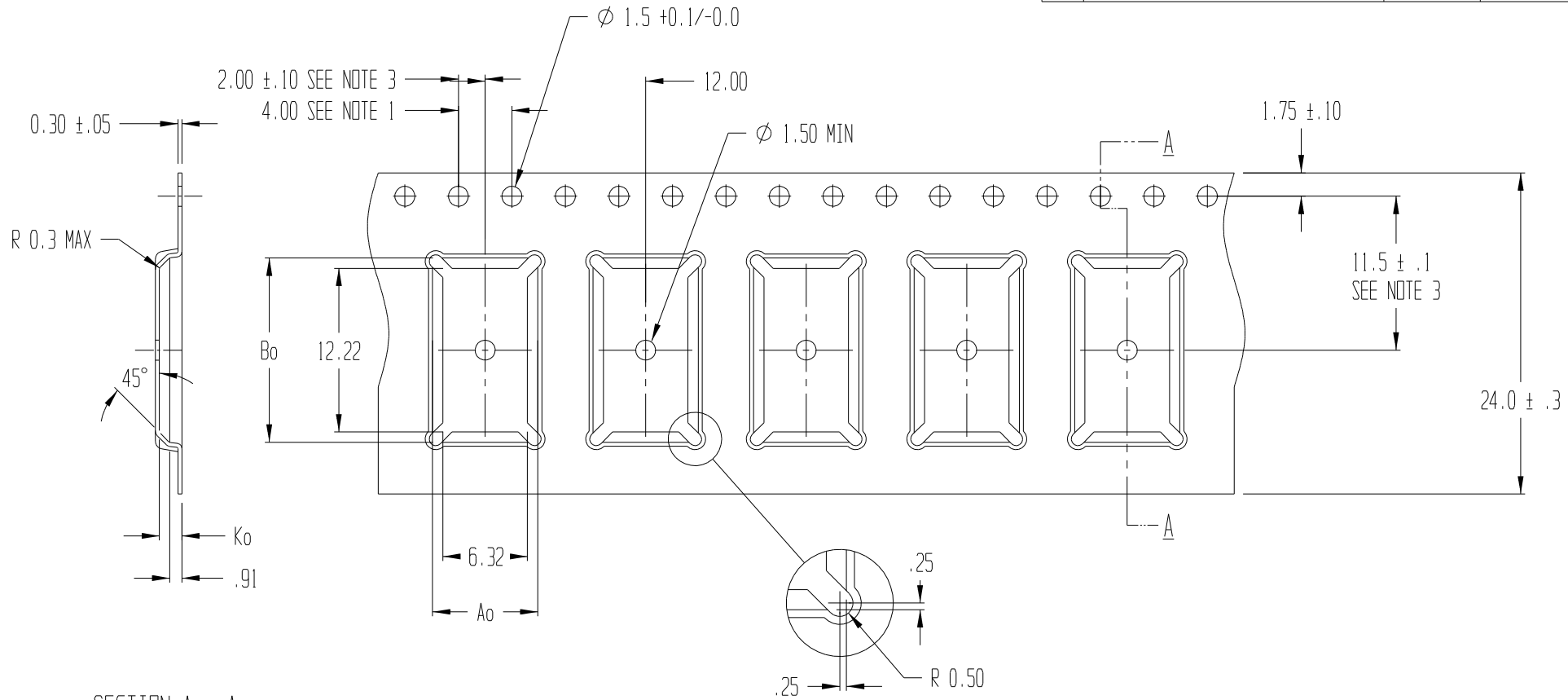


REVISIONS			
REV	DESCRIPTION	DATE	APPROVED
1	WAS CUSTOM TOOL	9/02/11	VAW



SECTION A - A

Ao = 7.87
Bo = 13.77
Ko = 1.69

NOTES:

1. 10 SPROCKET HOLE PITCH CUMULATIVE TOLERANCE ±0.2
2. CAMBER IN COMPLIANCE WITH EIA 481
3. POCKET POSITION RELATIVE TO SPROCKET HOLE MEASURED AS TRUE POSITION OF POCKET, NOT POCKET HOLE
4. Ao AND Bo ARE CALCULATED ON A PLANE AT A DISTANCE "R" ABOVE THE BOTTOM OF THE POCKET.



TITLE ADVANTEK PART DRAWING NUMBER INCS10-A CARRIER TAPE			
TOLERANCES - UNLESS NOTED 1PL ±.2 2PL ±.10	MATERIAL PS+C	ALL DIMENSIONS IN MILLIMETERS DWG SIZE B	
DRAWN BY BTH	DATE 1/26/01	SCALE 3:1	SHEET 1 OF 1
REFERENCE NO. T-10805-A/7667.00	DWG NO. T103175BT	REV 1	