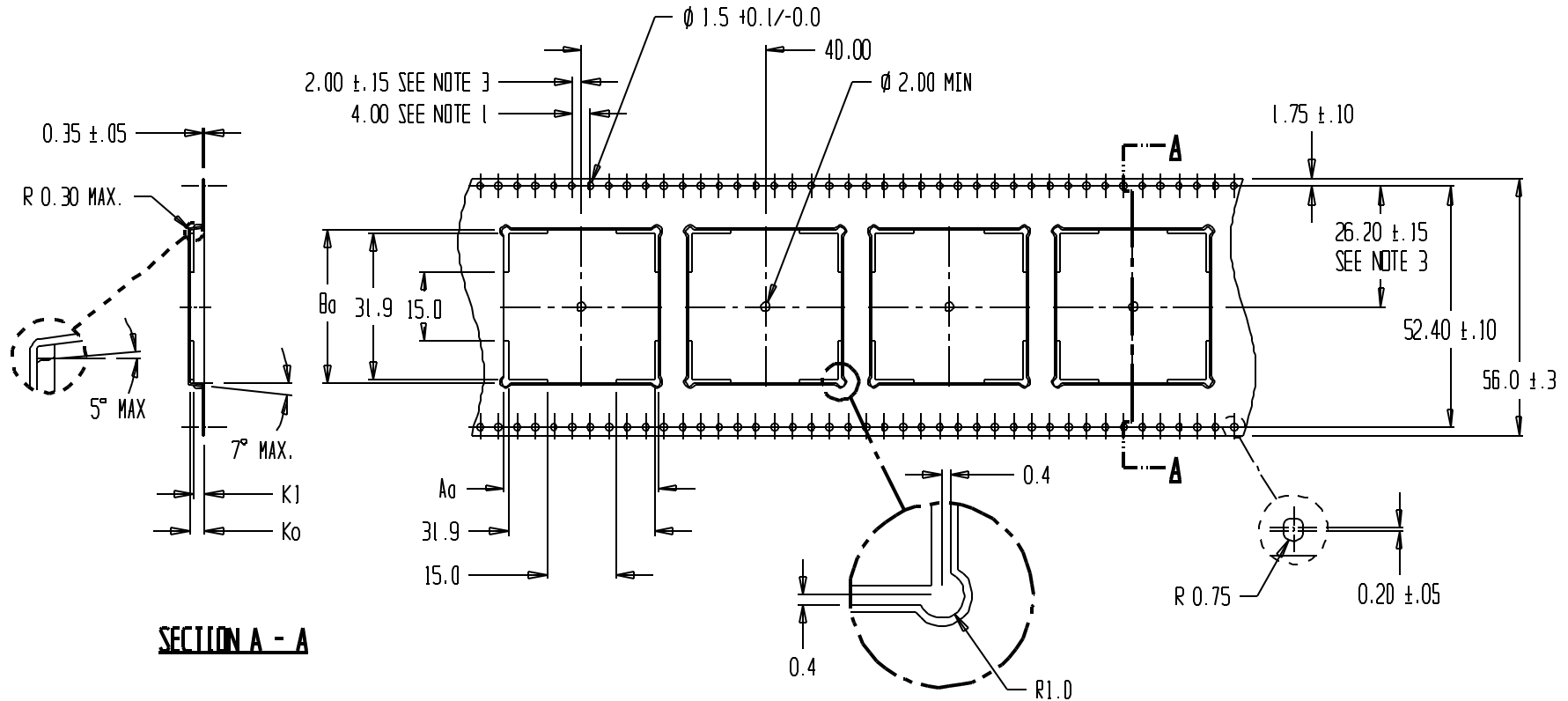


REVISIONS			
REV	DESCRIPTION	DATE	APPROVED



SECTION A - A

Ao = 33.5
 Bo = 33.5
 Ko = 3.2
 K1 = 2.4

NOTES:

1. 10 SPROCKET HOLE PITCH CUMULATIVE TOLERANCE ±0.2
2. CAMBER IN COMPLIANCE WITH EIA 481
3. POCKET POSITION RELATIVE TO SPROCKET HOLE MEASURED AS TRUE POSITION OF POCKET, NOT POCKET HOLE

ADVANTEK			
TITLE ADVANTEK PART DRAWING NUMBER 6KA003-A CARRIER TAPE			
TOLERANCES - UNLESS NOTED 1PL ±.2 2PL ±.10	MATERIAL PS+C		DWG SIZE B
ALL DIMENSIONS IN MILLIMETERS	DATE 04/26/2006	SCALE 1:1	SHEET 1 OF 1
DRAWN BY NCE			
REFERENCE NO. 1371.01	DWG NO. T1055798T		REV